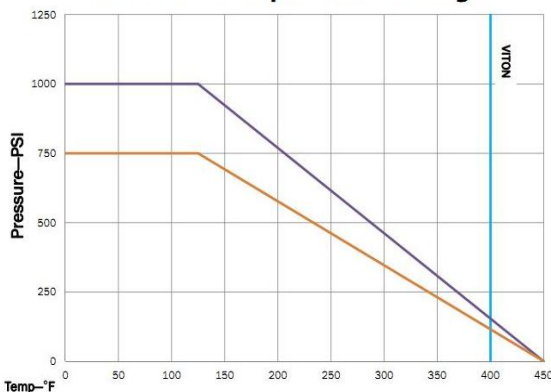
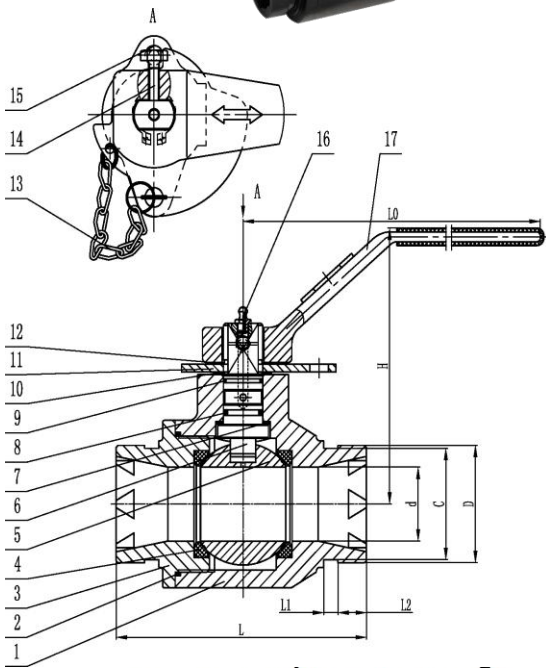




# TOP OILFIELD PRODUCTS

## GROOVED END BALL VALVE

### TBGD SERIES



#### Features:

- HIGH GRADE DUCTILE IRON WITH BETTER CORROSION RESISTANCE AND GREATER YIELD STRENGTH
- MULTI-SEAL SEATS
- REDUCED PORT
- NACE VALVES INCLUDE 316 STAINLESS STEEL BALL AND STEM
- LOCKING DEVICE STANDARD
- GROOVED DIMENSIONS CONFORM TO ANSI/AWWA C606

#### Parts & Materials

NO.	Description	Material
1	BODY	ASTM A395 DI
2	BODY SEAL	VITON
3	ADAPTER	ASTM A395 DI
4	SEATS	PTFE + 15% GF
5	BALL	ASTM A182 F316
6	STEM	ASTM A276 316
7	STEM BEARING	PTFE
8	STEM SEAL	VITON
9	STEM SEAL	VITON
10	THRUST BEARING	PTFE
11	STOP PLATE	STEEL PLATE
12	RETAINER RING	SPRING STEEL
13	PIN WITH CHAN	STAINLESS STEEL
14	HEXAGON BOLTS	SPRING STEEL
15	STOP SCREW	CARBON STEEL
16	GREASE ZERK	CARBON STEEL
17	HANDLE	DUCTILE IRON

#### Dimensions(in)

NPS	Part #	Port	Pressure	L	D	C	d	L1	L2	H	L0	Weight(lbs)
2"	TBGD09R10	RP	1000	5.51	2.37	2.25	1.50	0.31	0.63	5.59	8.54	7.25
3"	TBGD11R10	RP	1000	6.73	3.50	3.34	2.05	0.31	0.63	5.51	10.00	15.35
4"	TBGD12R10	RP	1000	8.27	4.50	4.33	3.03	0.37	0.63	6.83	13.50	22.1

Address: 9239 Alberene Dr. Houston Texas 77074

Tel: 832-480-3855, e-mail: sales@topoilfieldproducts.com